



SALD-R-4 Permanently fitted Lockout

Part Code: SALD-R-4

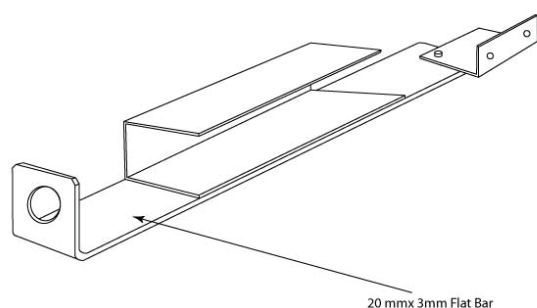
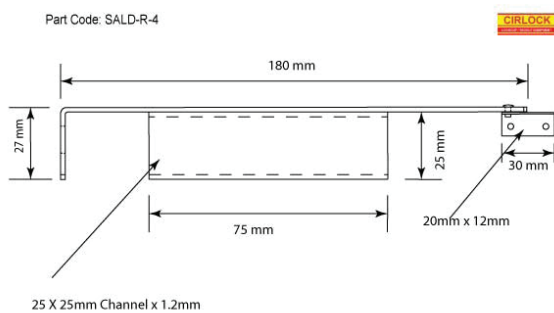
USE FOR:

Locking out small Toggle Switches. Devices are permanently fitted to the escutcheon plate using screws provided.

**** NYLON SCREWS ARE AVAILABLE UPON REQUEST ****

Material	Aluminium	
Manufacturer:	CIRLOCK - Made in Australia	
Pack Size:	1	
Other Info:	Pack includes mounting screws. Spacers available if required.	

VISUALS:



This drawing and all copyrights belongs to Cirlock Pty Ltd. Not to be used or copied without written permission.