

SPLD-LCB Permanently fitted Lockout



Part Code: SPLD-LCB-GREY / SPLD-LCB-YLW

USE FOR:

Locking out Moulded Case Circuit Breakers. Devices are permanently fitted to the escutcheon plate using screws provided.

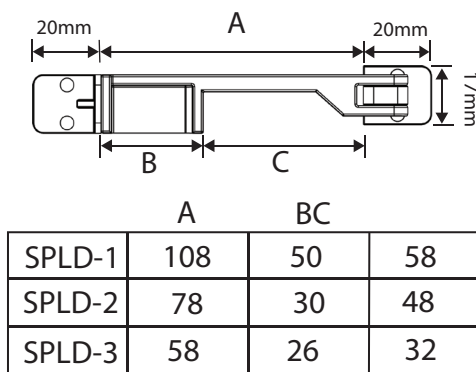
Each pack includes:

- 3 Lockout Arms (choose most suitable option)
- 1 x Padlock Bracket
- 1 x Hinge
- 2 x Spacers
- 4 x M3x12 Steel Mounting Screws
- 4 x M2x8 Steel Mounting Screws
- 3 x M3 Steel Nuts.

**** NYLON SCREWS ARE AVAILABLE UPON REQUEST ****

Material	Glass filled Nylon - Grey or Yellow	
Manufacturer:	CIRLOCK - Made in Australia	
Pack Size:	1	
Other Info:	Use SPLD-MCB for smaller MCB's (Miniature Circuit Breakers)	

VISUALS:



Mounting holes - 14mm from escutcheon cut out to centre of hole.

PLEASE NOTE: There are many variations available in both enclosures and circuit breakers. It is the users responsibility to ensure these mounting instructions are correct for your situation. This information should be used as a GUIDE ONLY